



ABRASIVE FLOW SOLUTIONS



WEDGE GATE VALVE

The KLEP Wedge Gate Valve is a medium duty general purpose Wedge Gate Valve that is suitable for various applications in mining, general industry, agriculture, fishing industry and for general marine applications. The KLEP Wedge Gate Valve is ideal for use in controlling a wide variety of liquids and sand fluids. Trouble-free performance in continuous use applications ensures minimum maintenance and downtime.

Product Specifications:

| | |
|-------------------------------|---------------------------------------|
| Size Range: | 50 - 600mm (2"-24") |
| Valve Type: | Wedge Gate Valve |
| Body Style: | Flanged |
| Temperature Range: | 80°C |
| Pressure Rating: | Up to 240psi (16 Bar) |
| Body Material: | Cast Ductile Iron or High Chrome Iron |
| Gate Material: | SG Iron |
| Paint: | 2 Coat Epoxy Paint |
| Spindle: | Stainless Steel |
| Manufactured Standard: | SABS 664 & 665 |
| Duty: | Abrasive Applications |
| Hydro-Static Test: | 1.5 Times the rated pressure |

Features:

- Valve body can be lined.
- Seals in both directions.
- No blocking or leakage.
- Adjustable gland packing.
- Metal seated gate valve.
- Epoxy coated.
- Seats hydraulic pressed in the wedge.
- Seat ring out of flow when in open position.
- Rising and non-rising spindle.
- Back seat to re-pack gland packing under pressure.
- Closing direction: clockwise or anti-clockwise.
- Full bore with low head-loss characteristics.
- Wedge for position seal.
- Lifting Lugs.



Valve Design

The KLEP Valve is a metal sealed wedge gate valve manufactured to SABS 644 and 665 standards. Suitable for isolation and scouring purposes.

Actuators

All types of actuators can be fitted; electric, gearbox, hydraulic, pneumatic and handwheel.

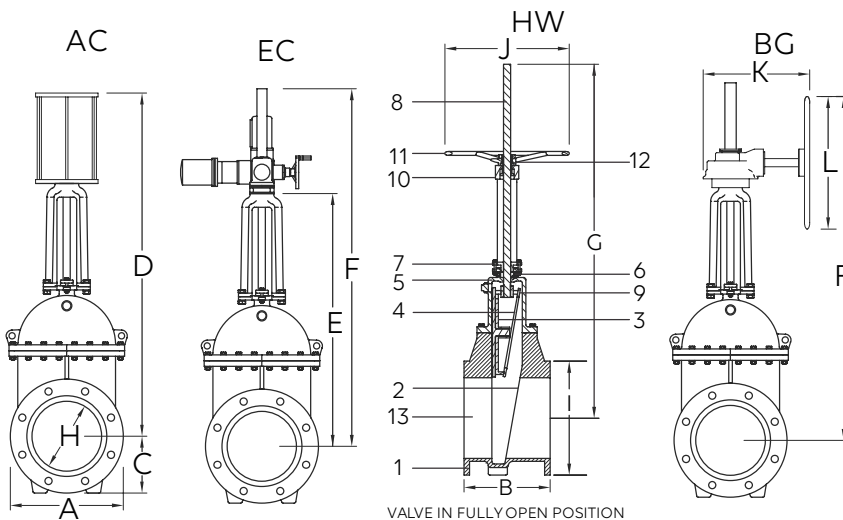
Applications

The valve is suited for mining and mineral processing, power generation, sand/gravel, chemical & soda ash, pulp & paper, environmental & effluent, dry feeds & powders.

Accessories

- Limit switches
- PTFE blade coating
- Manual lock out option
- Bellow and stem protective cover
- Deflector cone

Dimensions & Weights



| | PART | DESCRIPTION |
|----|---------------|----------------------------------|
| 1 | Body | Cast SG Iron |
| 2 | Body Seat | Hydraulically pressed into wedge |
| 3 | Wedge Seat | Brass |
| 4 | Wedges | Cast SG Iron |
| 5 | Bonnet | Cast SG Iron |
| 6 | Packing | Graphite in Rope |
| 7 | Gland | Cast SG Iron |
| 8 | Spindle | Stainless Steel |
| 9 | Yoke Assembly | Mild Steel |
| 10 | Spindle Nut | Bronze |
| 11 | Handwheel | Cast SG Iron |
| 12 | Handwheel Nut | Carbon Steel |
| 13 | Body Lining | Rubber, Urethane or Ceramic |

| VALVE SIZE (mm) | F/F | | | AC | EC | BG | HW | H | I | J | K | L | WEIGHT (kg) |
|-----------------|-----|-----|-----|------|------|------|------|-----|-----|-----|-----|-----|-------------|
| | A | B | C | D | E | F | G | | | | | | |
| 50 | 170 | 216 | 85 | 559 | 300 | 370 | 5500 | 50 | 170 | 300 | 350 | 300 | 50 |
| 80 | 200 | 229 | 100 | 659 | 370 | 440 | 542 | 80 | 200 | 300 | 350 | 300 | 80 |
| 100 | 220 | 254 | 110 | 710 | 380 | 470 | 695 | 100 | 220 | 400 | 350 | 400 | 90 |
| 150 | 285 | 280 | 142 | 1003 | 610 | 661 | 900 | 150 | 285 | 500 | 350 | 400 | 90 |
| 200 | 340 | 317 | 170 | 1224 | 770 | 845 | 1104 | 200 | 340 | 500 | 350 | 400 | 100 |
| 250 | 405 | 356 | 202 | 1411 | 905 | 1014 | 1360 | 250 | 405 | 500 | 350 | 400 | 250 |
| 300 | 460 | 380 | 230 | 1615 | 1012 | 1120 | 1560 | 300 | 460 | 500 | 350 | 400 | 300 |
| 350 | 520 | 470 | 260 | 1745 | 1140 | 1230 | 1840 | 350 | 520 | 600 | 350 | 500 | 450 |
| 400 | 580 | 470 | 290 | 2016 | 1280 | 1355 | 1940 | 400 | 580 | 600 | 350 | 500 | 500 |
| 450 | 640 | 485 | 320 | 2300 | 1487 | 1600 | 2180 | 450 | 640 | 700 | 500 | 500 | 600 |
| 500 | 720 | 510 | 360 | 2579 | 1690 | 1706 | 2350 | 500 | 720 | 700 | 500 | 500 | 720 |
| 600 | 840 | 600 | 450 | 2750 | 1785 | 1885 | 2800 | 600 | 840 | 700 | 500 | 500 | 900 |

Contact AFS for larger sizes. Dimensions and weights are for guidance only - detailed dimension drawings available on request. All dimensions are in millimeters, unless stated otherwise.

