



ABRASIVE FLOW SOLUTIONS



SWING CHECK VALVE

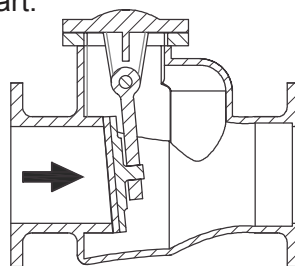
The KLEP Swing Check Valves are designed to swing out of the line of fluid flow at maximum capacity. The seat is off-set from horizontal and is hinge positioned so that the gravitational action causes the valve to close in proportion to the reduction in fluid flow. The valves can be installed either vertically or horizontally. As an optional extra, an extended hinge pin permits the fitting of an outside lever and weight to effect closure immediately, thereby eliminating slamming. A door position indicator can also be fitted.

Product Specifications:

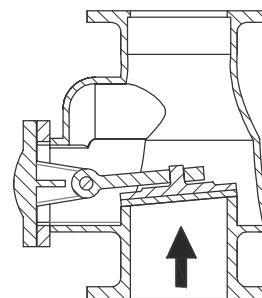
Size Range:	50 - 600mm (2-24")
Valve Type:	Swing Check
Body Style:	Flanged
Temperature Range:	-10°C to +80°C
Pressure Rating:	Up to 360psi (25 Bar)
Body Material:	Cast Ductile Iron, 2 coat epoxy painted
Swing Desk:	Carbon or Stainless Steel
Body Lining:	Rubber
Manufactured Standard:	SABS 1551
Hydro-Static Test:	1.5 Times the rated pressure

Features:

- Perfect sealing.
- Low head losses.
- Minimum back pressure for tightness 0.3 to 0.5 Bar.
- Removable bonnet for cleaning or replacing of check disc.
- Maintenance free.
- Full bore.
- Silent, non-slam, reduces pipe hammer.
- Simple construction - one moving part.
- Valve body can be lined.
- Lifting Lugs.



Horizontal Installation



Vertical Installation



Valve Design

KLEP Swing Check Valves are manufactured in sizes from 50mm to 600mm with options of bronze trim or all iron versions and working pressure up to 25 Bar.

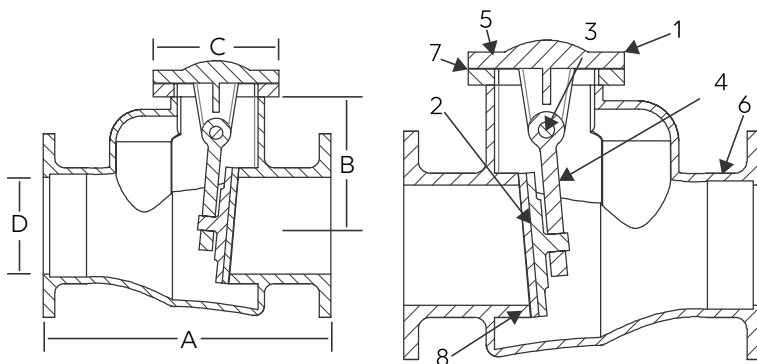
Applications

The valve is suited for mining and mineral processing, power generation, sand/gravel, chemical & soda ash, pulp & paper, environmental & effluent.

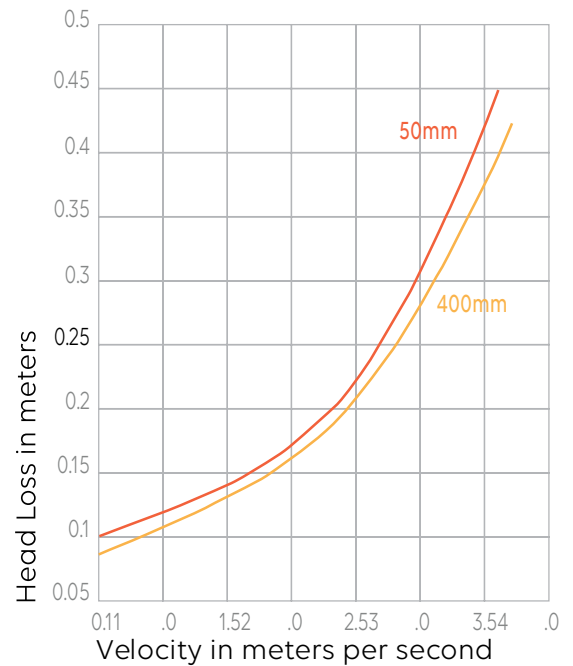
Pressure ratings and Valve Fig. Numbers

Press. Class	Valve Size mm	Seat Press. Rating	Body Press. Rating	Flange PN	Fig. No. Bronze Trim	Fig. No. All Iron
10	50 - 400	10 Bar	20 Bar	16	6154	6254
16	50 - 400	16 Bar	32 Bar	16	6154	6254
25	50 - 400	25 Bar	50 Bar	25	6154	6254

Dimensions & Weights



VALVE HEAD LOSS VALUES



SIZE (mm)	F/F A	B	C	D	WEIGHT (kg)
50	230	135	181	50	20
80	305	176	229	80	40
100	355	196	267	100	50
150	445	246	333	150	100
200	535	310	413	200	150
250	635	366	502	250	250
300	760	402	584	300	350
350	865	485	610	350	590
400	865	560	673	400	750
450	Larger sizes available on request.				
500					
600					

PART	DESCRIPTION
1	Body/Cover Cast SG Iron
2	Check disc Cast SG Iron
3	Hinge Cast SG Iron
4	Hinge pin 304 Stainless Steel
5	Bolts and nuts Cadmium plated steel
6	Paint Epoxy powder coated, Rilsan lined or painted to custom spec.
7	Body gasket 'O' Ring
8	Seating Stainless Steel, Chrome or Bronze

Dimensions and weights are for guidance only - detailed dimension drawings available on request. All dimensions are in millimeters, unless stated.

