



ABRASIVE FLOW SOLUTIONS



## RESILIENT SEATED GATE VALVE

The valve has been designed for the water and sewage industry, according to the requirements of BS 5163 (EN 1074), SABS 664/665 and DIN 3352. Resilient Seated Gate Valves are suitable for high differential pressures and give perfect sealing, and have therefore become very popular. They are widely used in water and sewage applications. The resilient Seated Gate Valve is also very suitable as an isolation valve for air valves.

### Product Specifications:

<b>Size Range:</b>	DN50 - DN1000
<b>Valve Type:</b>	Seated Gate Valve
<b>Materials:</b>	A wide selection of materials is available; also internal hard rubber lining for saline applications.
<b>Temperature Range:</b>	0°C to +70°C
<b>Pressure Rating:</b>	145 - 363psi (10 - 25 Bar)
<b>Coating:</b>	Fusion Bonded Epoxy (FBE)
<b>Colour:</b>	Blue, ca. RAL 5005

### Features:

- Full-bore design with low head-loss.
- Drop-tight sealing.
- Back-seating facility: enables change of stem seals while valve is under pressure (BS 5163).
- O-ring stem seals as standard.
- Low torque rates for smooth operation.
- ISO 5210 top-flange available.
- Spur Gearboxes and Bevel Gearboxes are available.
- Easy replaceable o-ring shaft seals.



## Actuators

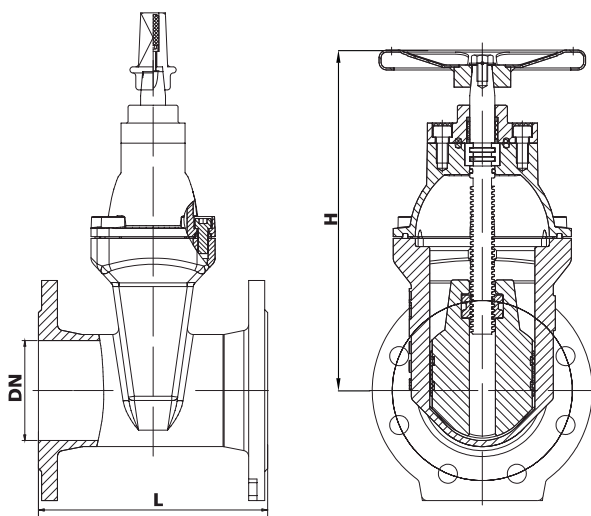
All types of actuators can be fitted; electric, hydraulic, pneumatic, handwheel and spur/bevel gear.

## Applications

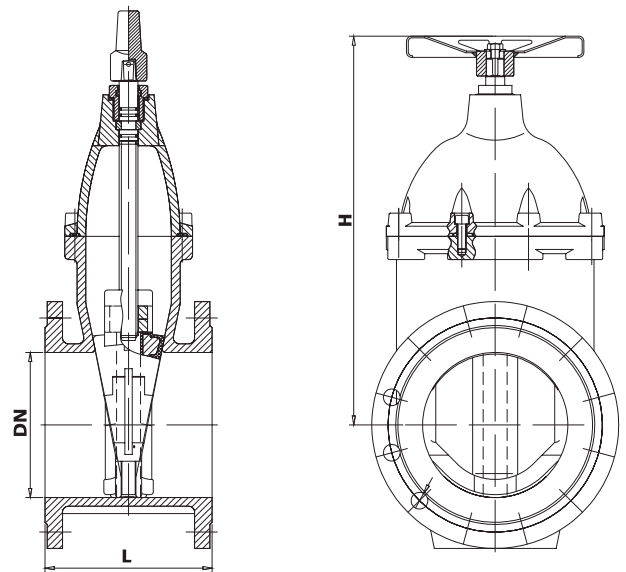
The valve is suited for pumping stations, treatment plants, reservoirs, pipelines, power stations, desalination plants & industrial applications.

## Dimensions & Weights

### BS DESIGN



### DIN DESIGN



DN	BS 5163 (PN10-16)	BS 5163 (PN 25)	H
	L	L	
50	178	216	240
65	190	241	250
80	203	283	290
100	229	305	330
125	254	381	380
150	267	403	450
200	292	419	520
250	330	457	640
300	356	502	700
350	381	-	875
400	406	-	960
450	432	-	1220
500	457	-	1350
600	508	-	1240
700	610	-	1470
800	660	-	2040
900	711	-	2240
1000	811	-	2440

DN	L	L	H
50	150	250	210
65	170	265	245
80	180	280	290
100	190	300	330
125	200	325	385
150	210	350	450
200	230	400	520
250	250	450	640
300	270	500	700
350	290	550	850
400	310	600	960
450	330	650	1220
500	350	700	1350
600	390	800	1500

Dimensions and weights are for guidance only - detailed dimension drawings available on request. All dimensions are in millimeters, unless stated otherwise.

