



ABRASIVE FLOW SOLUTIONS



## PINCH VALVE OPEN FRAME

The KLEP Pinch Valve consists of a tough, but flexible full bore sleeve, which forms part of the pipeline. The valve is closed mechanically via movement of the Pinch Bars located on opposite sides of the sleeve. The core of the FPV Pinch Valve is the sleeve. The sleeve is reinforced with high-strength fabric. The valves are well suited for on/off and throttling control applications where scale build up is a problem.

### Product Specifications:

<b>Size Range:</b>	50 - 600mm (2"-24")
<b>Valve Type:</b>	Pinch Valve Open Frame
<b>Body Style:</b>	Flanged, Fabricated Steel
<b>Temperature Range:</b>	80°C
<b>Pressure Rating:</b>	Up to 240psi (16 Bar)
<b>Sleeve Material:</b>	Gum Rubber, EPDM, Neoprene, Nitrile, Butyl, Viton, Hypalon, polyurethane.
<b>Pinch Bars:</b>	Carbon Steel
<b>Pinch Bar Guides:</b>	304 Stainless Steel
<b>Duty:</b>	Abrasive Applications
<b>Hydro-Static Test:</b>	1.5 Times the rated pressure

### Features:

- Low-cost pinch valve design.
- Seals in both directions.
- No blocking or leakage.
- Open frame design is light weight, adaptable and economical.
- Epoxy coated.
- Fabricated Steel frame.
- Robust construction.
- Rising spindle with dust cover.
- Bellows.
- Easy maintenance.
- Full bore.
- No packing to maintain.
- Sleeve is only vetted part.
- Face-to-face compatible with Diaphragm Valves.
- Sleeves are easily replaced.
- Sleeves are available in a variety of materials.
- Center pinch operation.
- All types of actuators can be fitted.



## How the Valve Works

In the closed position, the upper and low bars compress the sleeve to form a bubble tight seal, even on entrapped debris. Because of the FPV Open Frame design, the open/closed position of the valve can be viewed by sight. The valve can be used to throttle the flow.

## Actuators

All types of actuators can be fitted; electric, gearbox, hydraulic, pneumatic and handwheel.

## Applications

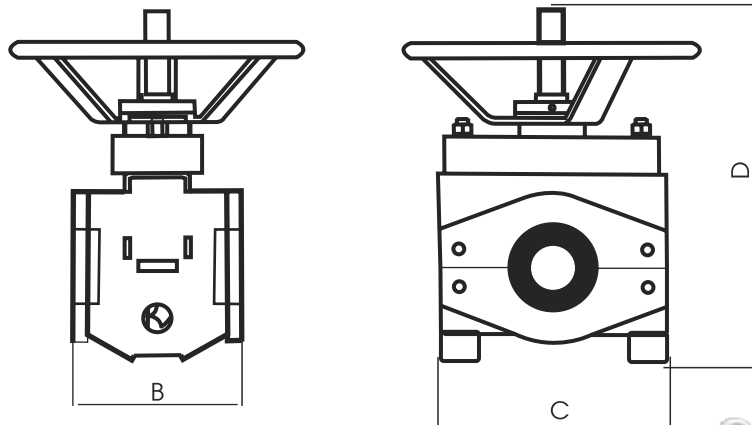
The valve is suited for mining and mineral processing, power generation, sand/gravel, chemical & soda ash, pulp & paper, environmental & effluent, dry feeds & powders.

## Sleeve Material

- Red Rubber
- Natural Black Rubber
- Neoprene Rubber
- Nitrile Rubber
- EPDM Rubber



## Dimensions & Weights



Valve Size	A/B F/F	C	D	E	SABS F/F
50	170	240	375	300	191
80	220	290	480	300	254
100	250	320	520	400	305
150	255	400	630	400	406
200	400	420	630	450	521
250	500	500	770	450	635
300	600	600	900	600	749
350	685	700	1070	600	980
400	785	800	1230	600	-
450	880	900	1430	700	-
500	980	1000	1560	700	-
600	1180	1100	1690	700	-

Dimensions and weights are for guidance only - detailed dimension drawings available on request. All dimensions are in millimeters, unless stated otherwise.

