



ABRASIVE FLOW SOLUTIONS



## METAL SEATED WEDGE GATE VALVE

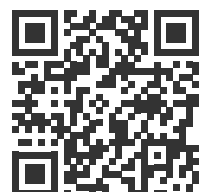
Our Metal Seated Wedge Gate Valve is designed for the water industry, taking into account the latest developments and know-how, exceeding the requirements of BS 5163 (EN 1074), SABS 664.665 and DIN 3352.

### Product Specifications:

<b>Size Range:</b>	DN50 - DN2000
<b>Valve Type:</b>	Wedge Gate Valve
<b>Materials:</b>	A wide selection of materials is available; also internal hard rubber lining for saline applications.
<b>Temperature Range:</b>	-20°C to +70°C
<b>Pressure Rating:</b>	145 - 580psi (10 - 40 Bar)
<b>Coating:</b>	Fusion Bonded Epoxy (FBE)
<b>Colour:</b>	Blue, ca. RAL 5005

### Features:

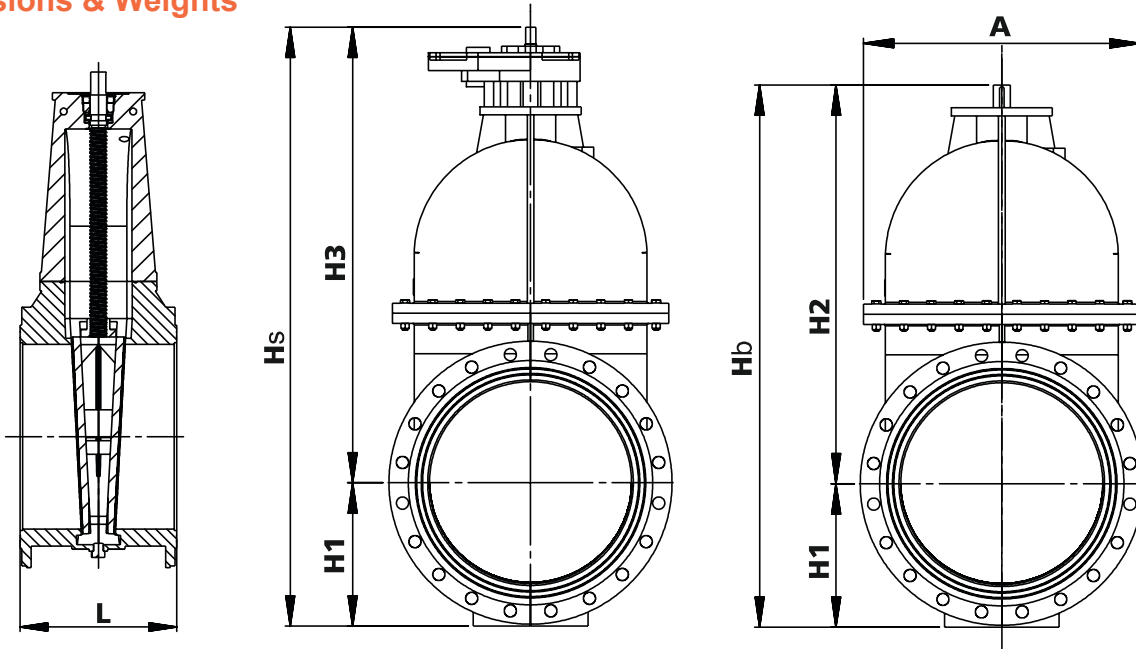
- Full-bore design with low head-loss.
- Drop-tight sealing due to Bronze/Gunmetal seats (standard).
- Back-seating facility: enables change of stem seals while valve is under pressure.
- O-ring stem seals (DN 50-150), and improved Chevron packing (DN 200 and up) as standard.
- Accurate side guides ensure smooth and safe operation. (Bronze slides are optional).
- Aeration and drain tap.
- Integrated lifting lug and holes.
- ISO 5210 top-flange is standard from DN 350 and up.
- Spur Gearbox is standard from DN 700 and up (for PN 16). Bevel gear is optional.
- Easy replaceable o-ring shaft seals or Chevron packing.



## Applications

The valve is suited for pumping stations, treatment plants, reservoirs, pipelines, power stations, desalination plants & industrial applications.

## Dimensions & Weights



DN	BS 5163 & SABS 665 PN 10-16 L	SABS 664 PN 10-16 L	BS 5163 & SABS 665 PN 25-40 L	DIN 3202 F4 558-1/Ser 14 PN 10-16 L	DIN 3202 F5 558-1/Ser 15 PN 10-40 L	H1	H2	H3	Hb	Hs	AH
50	178	216	216	150	250	90	250	-	340	-	140
65	190	-	241	170	270	95	250	-	345	-	170
80	203	229	283	180	280	105	255	-	360	-	205
100	229	254	305	190	300	120	265	-	385	-	225
125	254	-	381	200	325	135	270	-	405	-	255
150	267	280	403	210	350	150	275	-	425	-	295
200	292	317	419	230	400	180	505	-	685	-	345
250	330	356	457	250	450	215	600	-	815	-	410
300	356	380	502	270	500	240	690	-	930	-	480
350	381	470	572	290	550	260	840	1080	1100	1340	540
400	406	470	610	310	600	290	910	1150	1200	1440	605
450	432	485	660	330	650	320	1010	1250	1330	1570	655
500	457	510	711	350	700	360	1090	1330	1450	1690	710
600	508	600	787	390	800	420	1250	1505	1670	1925	825
700	610	610	810	430	900	455	1440	1695	1895	2150	1000
800	660	660	810	470	1000	515	1600	1885	2115	2400	1100
900	711	711	810	510	1100	565	1800	2085	2365	2650	1250
1000	811	811	1120	550	1200	630	1940	2225	2570	2855	1285
1200	838	838	1120	-	1400	745	1890	2280	2635	3025	1570
1400	1120	1120	1120	-	1600	845	2140	2530	2985	3375	1810
1600	1200	1200	1200	-	1800	965	2285	2675	3250	3640	2070
1800	1200	1200	1200	-	2000	1065	2440	2830	3505	3895	2285

Dimensions and weights are for guidance only - detailed dimension drawings available on request. All dimensions are in millimeters, unless stated otherwise.

