



ABRASIVE FLOW SOLUTIONS



PINCH VALVE ENCLOSED BODY

The FPV Pinch Valve consists of a tough, but flexible full bore sleeve, which forms part of the pipeline. The valve is closed mechanically via movement of the Pinch Bars located on opposite sides of the sleeve. The core of the FPV Pinch Valve is the sleeve. The sleeve is reinforced with high-strength fabric. The valves are well suited for on/off and throttling control applications where scale build up is a problem.

Product Specifications:

Size Range:	50 - 600mm (2"-24")
Valve Type:	Pinch Valve Enclosed Body
Body Style:	Flanged, Fabricated Steel
Temperature Range:	80°C
Pressure Rating:	Up to 240psi (16 Bar)
Sleeve Material:	Gum Rubber, EPDM, Neoprene, Nitrile, Butyl, Viton, Hypalon, polyurethane.
Pinch Bars:	Carbon Steel
Pinch Bar Guides:	304 Stainless Steel
Duty:	Abrasive Applications
Hydro-Static Test:	1.5 Times the rated pressure

Features:

- Low-cost enclosed body valve design.
- Seals in both directions.
- No blocking or leakage.
- Enclosed design is light weight, adaptable and economical.
- Epoxy coated.
- Fabricated Steel body.
- Robust construction.
- Non-rising spindle or rising spindle.
- Enclosed body protects the sleeve.
- Easy maintenance.
- Full bore.
- No packing to maintain.
- Sleeve is only vetted part.
- Face-to-face compatible with Diaphragm Valves.
- Sleeves are easily replaced.
- Sleeves are available in a variety of materials.
- Center pinch operation.
- All types of actuators can be fitted.



How the Valve Works

In the closed position, the upper and low bars compress the sleeve to form a bubble tight seal, even on entrapped debris. The valve can be used to throttle the flow.

Actuators

All types of actuators can be fitted; electric, gearbox, hydraulic, pneumatic and handwheel.

Applications

The valve is suited for mining and mineral processing, power generation, sand/gravel, chemical & soda ash, pulp & paper, environmental & effluent, dry feeds & powders.

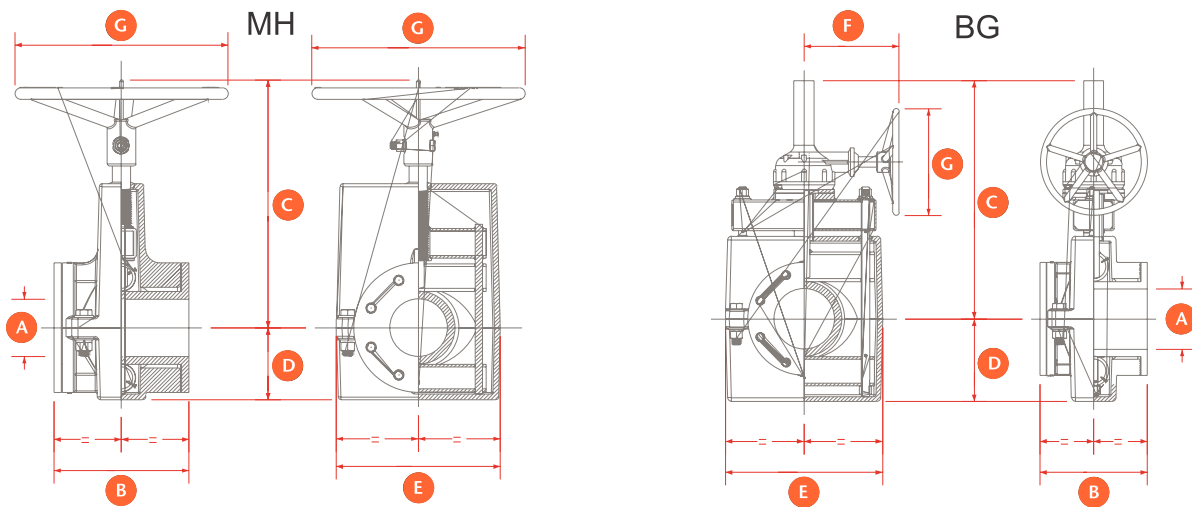
Sleeve Material

FPV offers the following alternative sleeve materials, providing chemical and abrasive resistance to most media such as:

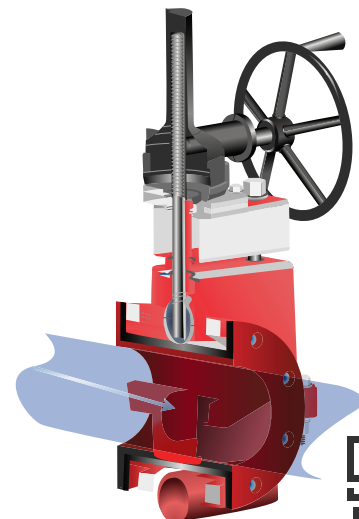
- Red Rubber
- Natural Black Rubber
- Neoprene Rubber
- Nitrile Rubber
- EPDM Rubber



Dimensions & Weights



Valve Size	A/B F/F	C	D	E	F	G	WEIGHT KG
50	170	265	85	180	N/A	165	16
80	220	369	110	245	N/A	220	40
100	250	430	125	285	-	370	90
150	255	685	200	390	236	250	100
200	400	980	255	490	300	300	150
250	500	1060	300	590	360	300	200
300	600	1160	340	680	400	400	250
350	685	1280	440	900	520	400	300
400	785	1360	420	945	560	400	500
450	880	1480	470	1035	620	500	700
500	980	1620	550	1120	660	500	800
600	1180	1740	604	1280	740	600	1077



Dimensions and weights are for guidance only - detailed dimension drawings available on request. All dimensions are in millimeters, unless stated otherwise.