

WEDGE GATE VALVE

The KLEP Wedge Gate Valve is a medium duty general purpose valve that is suitable for various applications in mining, general industry, agriculture, fishing industry and for general marine applications. The KLEP Wedge Gate Valve is ideal for use in controlling a wide variety of liquid & sand fluids. Trouble-free performance in continuous use applications ensures minimum maintenance and downtime.

Product Specification:

Size Range:	2" - 24" (50mm - 600mm)
Valve Type:	Wedge gate valve
Body Style:	Flanged
Temperature range:	80°C
Pressure rating:	Up to 240 psi (16 bar)
Body material:	Cast ductile iron or high chrome iron
Gate material:	SG iron
Paint:	2 Coat epoxy paint
Spindle:	Stainless steel
Manufacturing Standard:	SABS 664 & 665
Duty:	Abrasive applications
Hydro-Static Test:	1.5 Times the rated pressure

Features:

- Valve body can be lined.
- Seals in both directions.
- No blocking or leakage.
- Adjustable gland packing.
- Metal seated gate valve.
- Epoxy coated.
- Seats hydraulic pressed into the wedge.
- Seat ring out of flow when in open position.
- Rising and non-rising spindle.
- Back seat to re-pack gland packing under pressure.
- Closing direction: clockwise or anti-clockwise.
- Full bore with low head-loss characteristics.
- Wedge for positive seal.
- Lifting lugs.



Valve Design

The KLEP Valve is a metal sealed wedge gate valve manufactured to SABS 664 and 665 standards. Suitable for isolation and scouring purposes.

Actuators

All types of actuators can be fitted; electric, gearbox, hydraulic, pneumatic and handwheel.

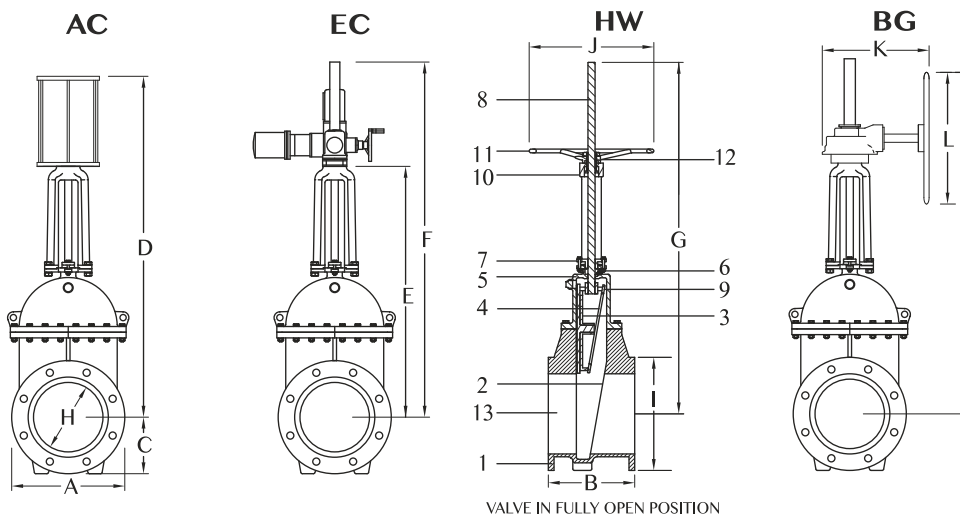
Applications

The valve is suited for mining and mineral processing, power generation, sand/gravel, chemical & soda ash, pulp & paper, environmental & effluent, dry feeds & powders.

Accessories

- Limit switches
- PTFE gate coating
- Manual lock out option
- Bellow and stem protective cover
- Deflector cone

Dimensions & Weights



Part	Description
1	Body
2	Body Seat
3	Wedge Seat
4	Wedges
5	Bonnet
6	Packing
7	Gland
8	Spindle
9	Yoke Assembly
10	Spindle Nut
11	Handwheel
12	Handwheel Nut
13	Body Lining

Valve Size	A	B F/F	C	AC D	EC E	BG F	HW G	H	I	J	K	L	Weight Kg
50	170	216	85	559	300	370	550	50	170	300	350	300	50
80	200	229	100	659	370	440	542	80	200	300	350	300	80
100	220	254	110	710	380	470	695	100	220	400	350	400	90
150	285	280	142	1003	610	661	900	150	285	500	350	400	90
200	340	317	170	1224	770	845	1104	200	340	500	350	400	100
250	405	356	202	1441	905	1014	1360	250	405	500	350	400	250
300	460	380	230	1615	1012	1120	1560	300	460	500	350	400	300
350	520	470	260	1745	1140	1230	1840	350	520	600	350	500	450
400	580	470	290	2016	1280	1355	1940	400	580	600	350	500	500
450	640	485	320	2300	1487	1600	2180	450	640	700	500	500	600
500	720	510	360	2579	1690	1706	2350	500	720	700	500	500	720
600	840	600	450	2750	1785	1885	2800	600	840	700	500	500	900

Dimensions and weights are for guidance only - detailed dimension drawings available on request. All dimensions are in millimetres, unless stated.